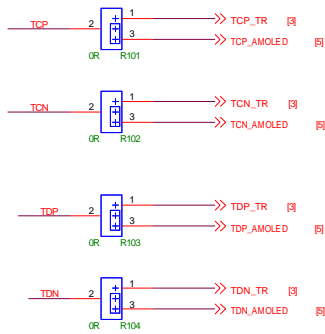
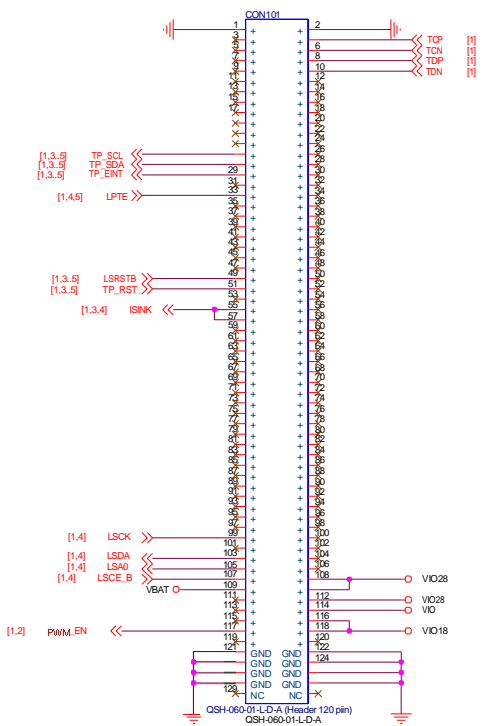
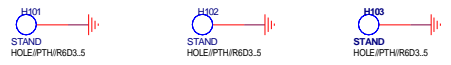
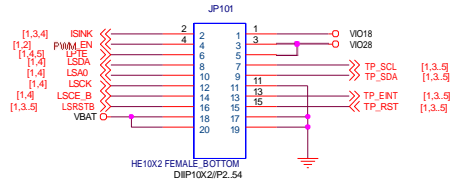


MIPI/Serial LCM+CTP_Conn (Bottom)



Serial LCM+CTP_Conn (Bottom)

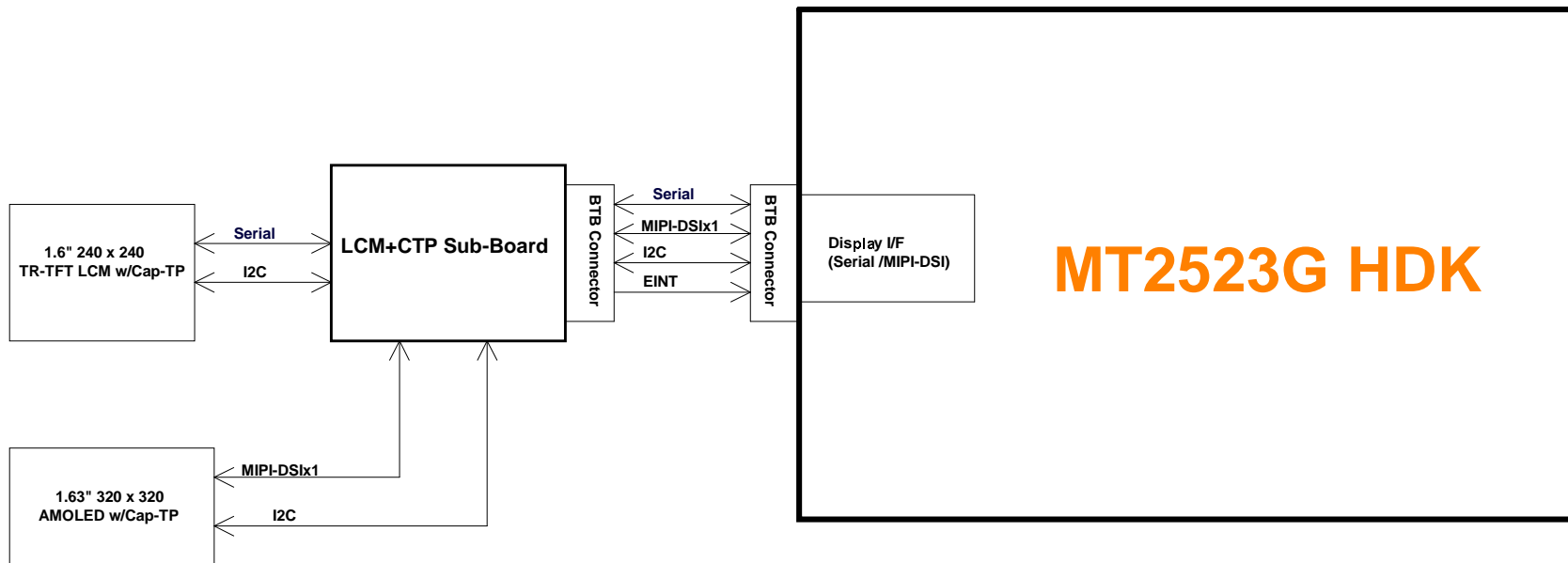


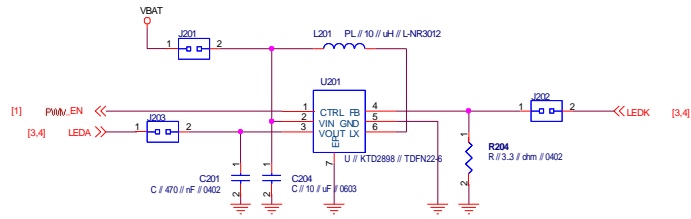
MEDIATEK Labs

01_CONNECTOR

LCM Daughterboard

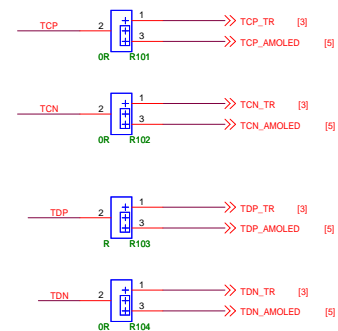
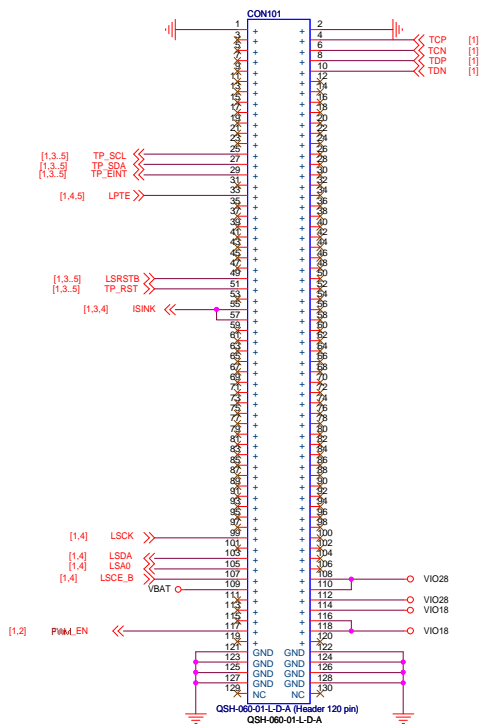
Date: Thursday, April 28, 2016 Sheet: 2 of 5



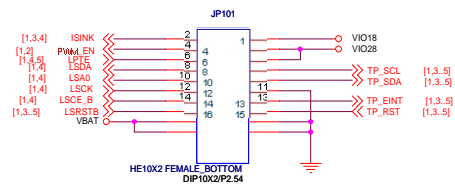


Rset=200I_{max}

MIPI/Serial LCM+CTP_Conn(Bottom)



Serial LCM+CTP_Conn(Bottom)



以上内容仅为本文档的试下载部分，为可阅读页数的一半内容。如要下载或阅读全文，请访问：<https://d.book118.com/877132022110006045>