



Thermistor / Current / Voltage Analog Input Module



HE800ADC920 / HE-ADC920*

12-Bit Resolution

* HE- denotes plastic case.

This datasheet also covers products starting with IC300.

1 SPECIFICATIONS

| ADC920 | | ADC920 | |
|---|---|-------------------------------------|---|
| Number of Channels | 12 | Converter Type | Successive Approximation |
| Input Ranges (including over-range) | | Input Impedance | < 12 VDC, Clamped @ 12 VDC, 35 mA Max. Continuous |
| <i>Thermistor</i> (1/10 resolution) | -37–115 C -35–240 F | <i>Thermistor</i> | 10 KΩ |
| <i>Current</i> | 0–20.47 mA | <i>Current</i> | 250 Ω |
| <i>Voltage</i> | 0–5.11 VDC | <i>Voltage</i> | 1 Mega Ω |
| Resolution | 12-Bit | Terminal Type | Spring Clamp, Removable |
| Maximum Error at 25 C | 0.1% Full Scale | Operating Temperature | 0 – 60 Celsius |
| Conversion Time (PLC Update Rate) | Set by PLC Scan Time | Analog Inputs Input Points Required | 12 |
| Additional error for temperatures other than 25 C | 0.01% / C | Relative Humidity | 5–95% Non-condensing |
| Required Power (Steady State) | 0.19 W (8 mA @ 24 VDC) | Weight | 9 oz. (256 g) |
| Required Power (Inrush) | Negligible | | |
| Maximum Over-Current | 35 mA | | |
| External Power Supply | None | | |
| CE | See Compliance Table at h /Support/compliance.htm | | |
| UL | | | |



Thermistor / Current / Voltage Analog Input Module



HE800ADC920 / HE-ADC920*

12-Bit Resolution

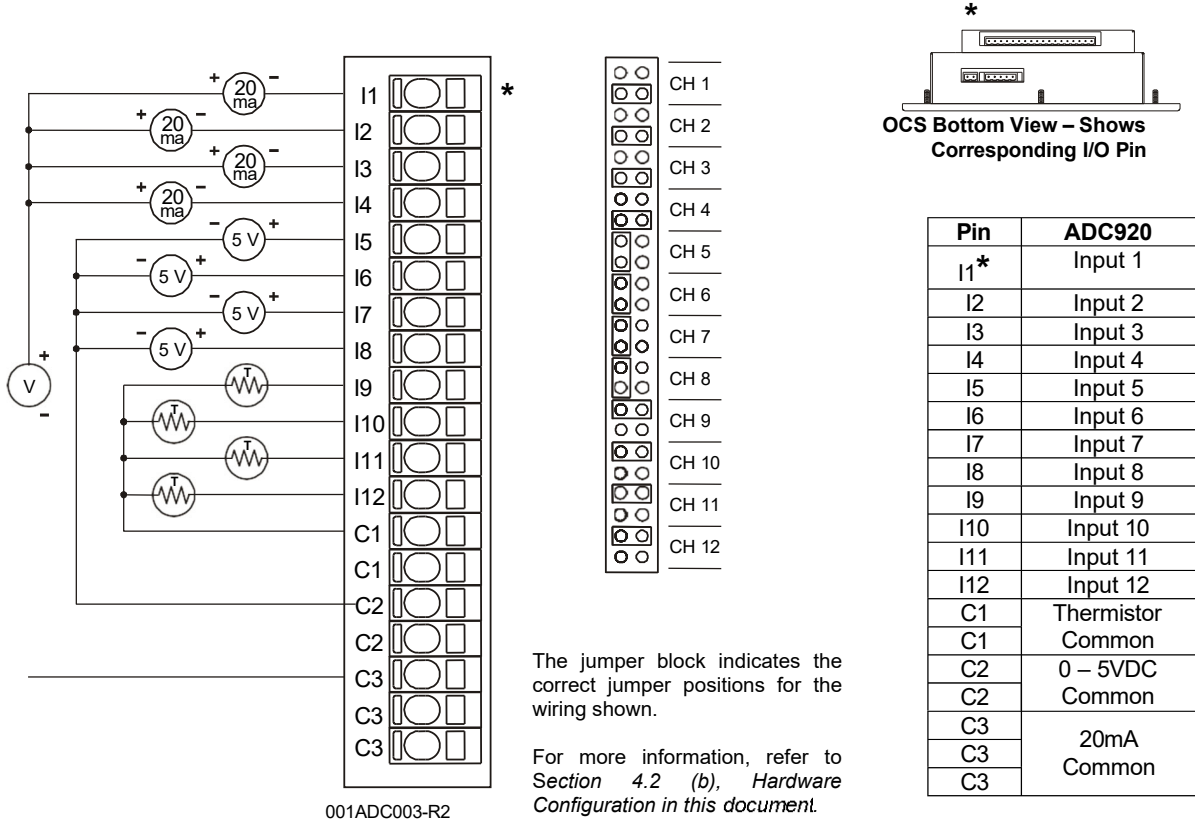
* HE- denotes plastic case.

This datasheet also covers products starting with IC300.

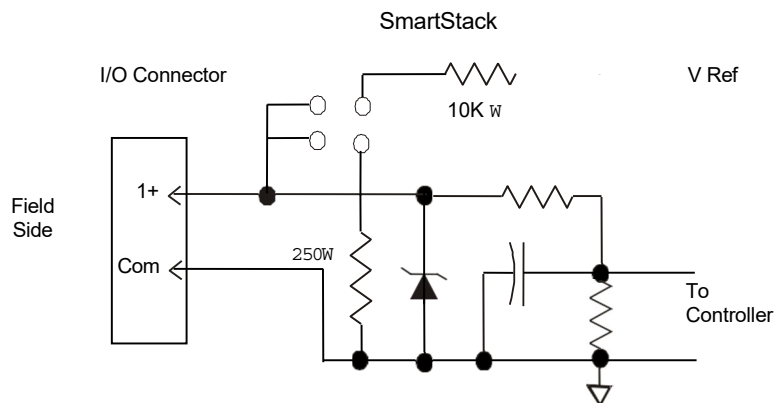
1 SPECIFICATIONS

| ADC920 | | ADC920 | |
|---|---|-------------------------------------|---|
| Number of Channels | 12 | Converter Type | Successive Approximation |
| Input Ranges (including over-range) | | Input Impedance | < 12 VDC, Clamped @ 12 VDC, 35 mA Max. Continuous |
| <i>Thermistor</i> (1/10° resolution) | -37–115°C -35–240°F | <i>Thermistor</i> | 10 KΩ |
| <i>Current</i> | 0–20.47 mA | <i>Current</i> | 250 Ω |
| <i>Voltage</i> | 0–5.11 VDC | <i>Voltage</i> | 1 Mega Ω |
| Resolution | 12-Bit | Terminal Type | Spring Clamp, Removable |
| Maximum Error at 25°C | 0.1% Full Scale | Operating Temperature | 0° – 60° Celsius |
| Conversion Time (PLC Update Rate) | Set by PLC Scan Time | Analog Inputs Input Points Required | 12 |
| Additional error for temperatures other than 25°C | 0.01% / C° | Relative Humidity | 5–95% Non-condensing |
| Required Power (Steady State) | 0.19 W (8 mA @ 24 VDC) | Weight | 9 oz. (256 g) |
| Required Power (Inrush) | Negligible | | |
| Maximum Over-Current | 35 mA | | |
| External Power Supply | None | | |
| CE | See Compliance Table at http://www.hornerap.com/Support/compliance.htm | | |
| UL | | | |

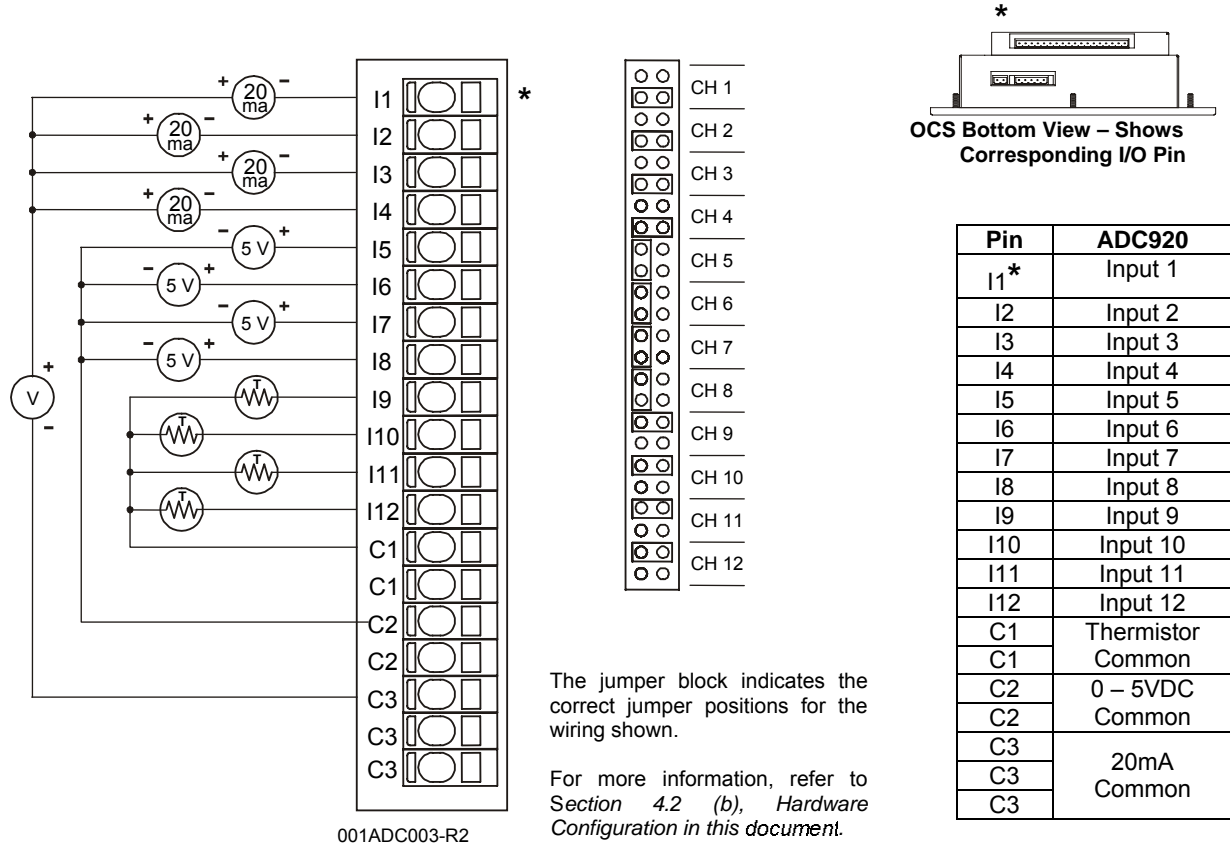
2 WIRING



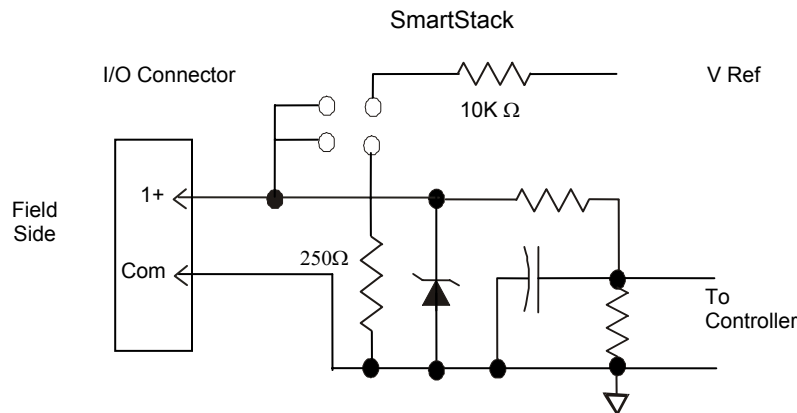
3 INTERNAL CIRCUIT SCHEMATIC



2 WIRING



3 INTERNAL CIRCUIT SCHEMATIC



以上内容仅为本文档的试下载部分，为可阅读页数的一半内容。如要下载或阅读全文，请访问：<https://d.book118.com/607165161035006030>