

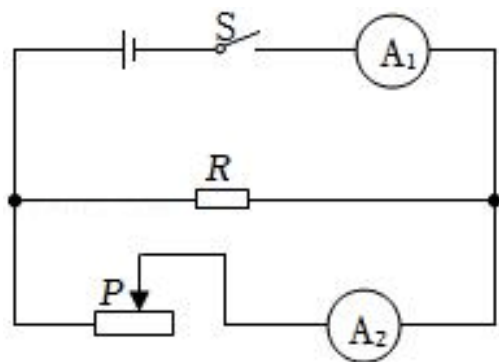
第 真题演练 (解析版)

第十七章

题

()

()



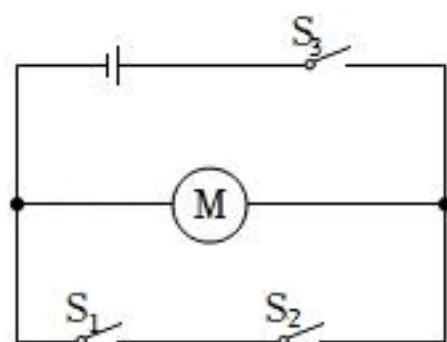
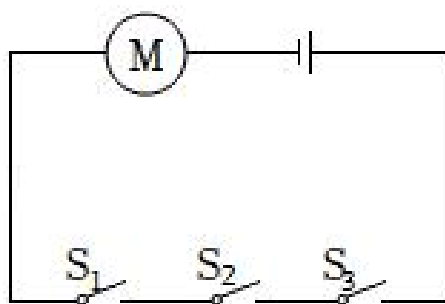
解 解

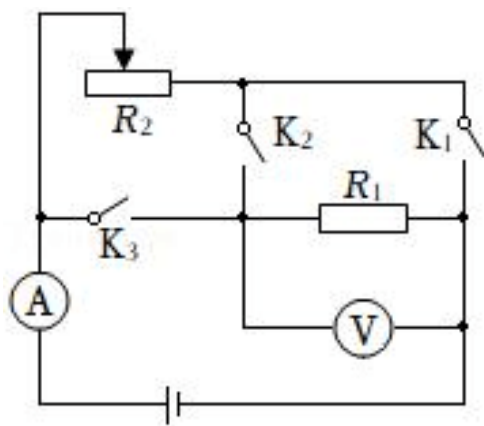
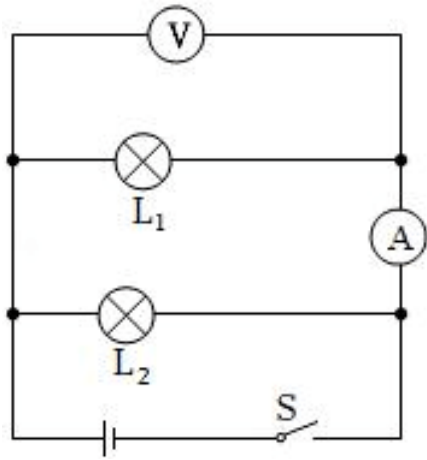
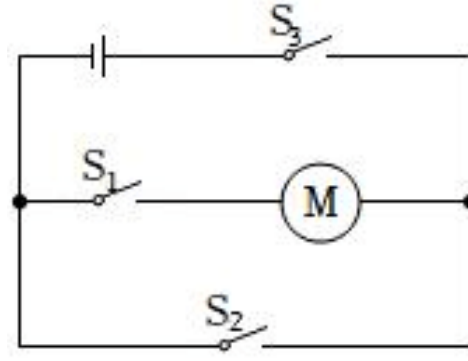
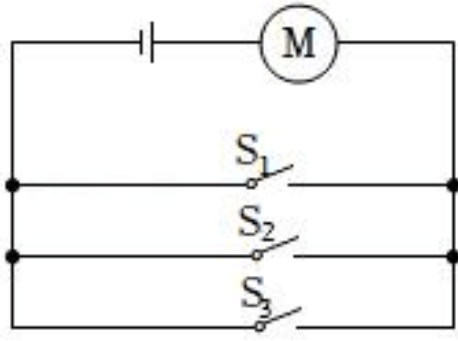
()

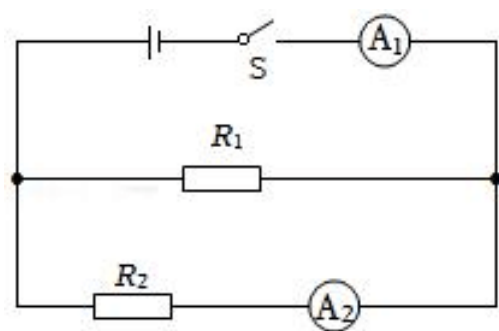
()

()

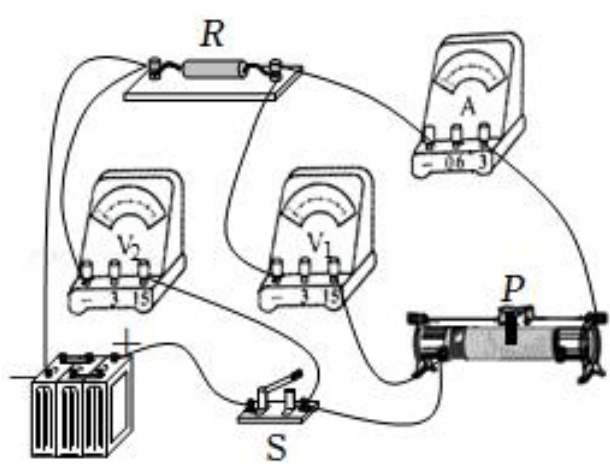
()



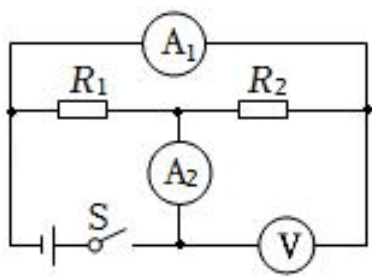
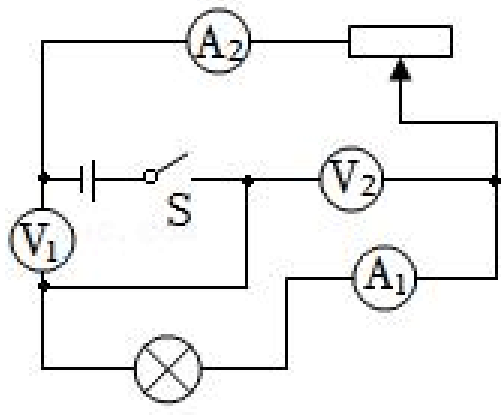




$$\frac{U}{R}$$



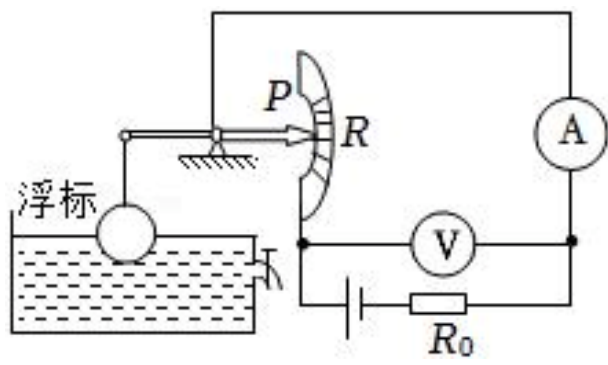
$$\frac{U}{I}$$



$$\frac{U}{R}$$

$$\frac{U}{I_1} = \frac{4V}{4A}$$

$\frac{1}{6}$



$$\frac{U}{R}$$

$$\frac{36V}{0.6A}$$

$$\frac{U}{R}$$

$$\frac{U}{I}$$

$$\frac{U}{R}$$

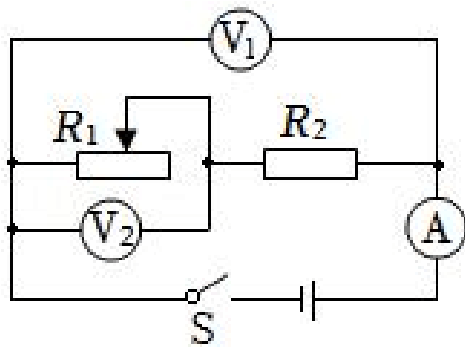
$$\frac{1}{6} \quad \frac{1}{6}$$
$$\frac{U}{I_{\text{最小}}} \quad \frac{36V}{0.1A}$$

$$\frac{R_{\text{大}}}{2} \quad \frac{300\Omega}{2}$$

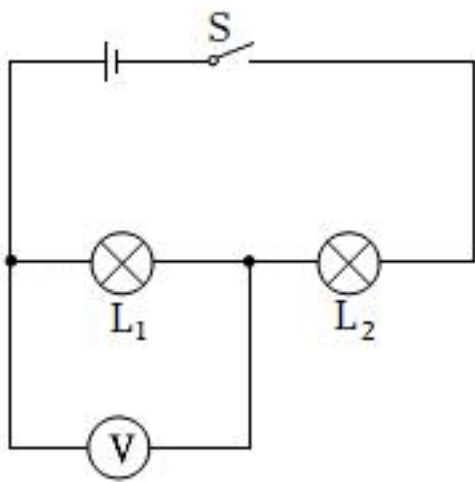
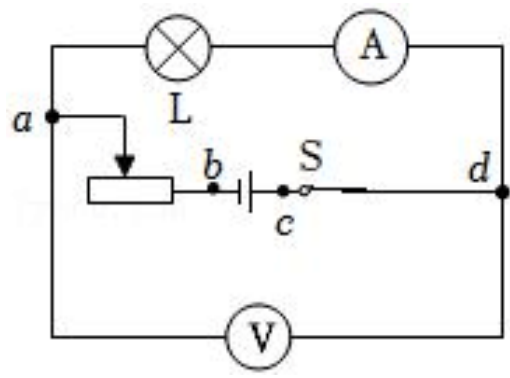
$$\frac{U}{R}$$

$$\frac{U}{R_{\text{串}}} \quad \frac{36V}{210\Omega}$$

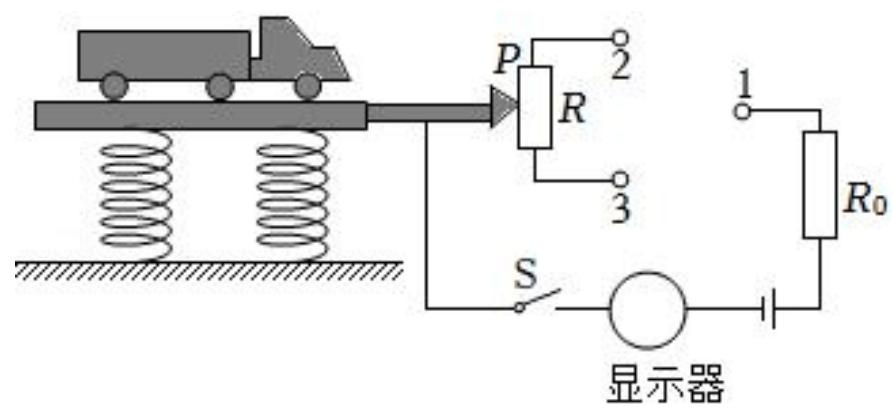
$$\frac{R_{\text{大}}}{2} \quad \frac{300\Omega}{2}$$

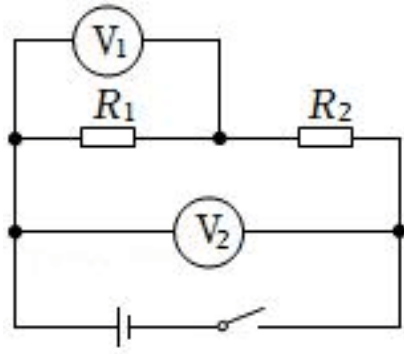


$$\frac{U}{R}$$

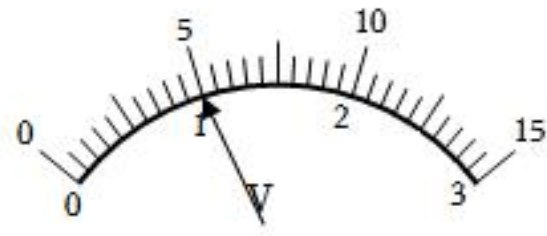


公

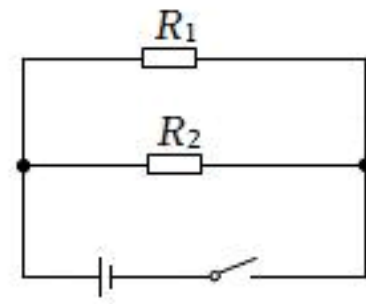




甲



乙



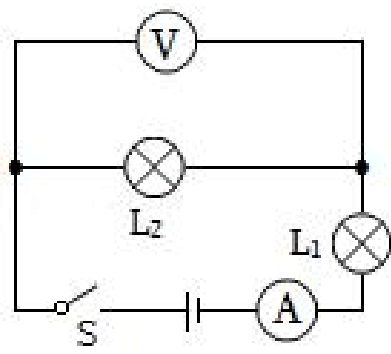
丙

$$\frac{U_1}{R_1} = \frac{1V}{5\Omega}$$

$$\frac{U_2}{I} = \frac{4V}{0.2A}$$

$$\frac{20\Omega}{5\Omega} = \frac{4}{1}$$

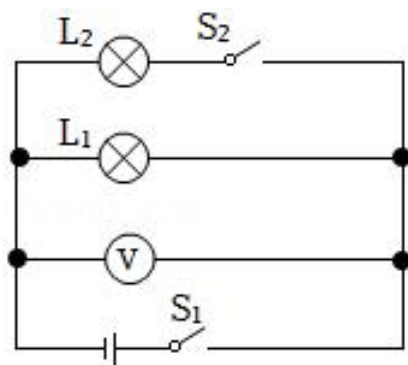
$$\frac{I_1}{I_2} = \frac{\frac{U}{R_1}}{\frac{U}{R_2}} = \frac{R_2}{R_1}$$

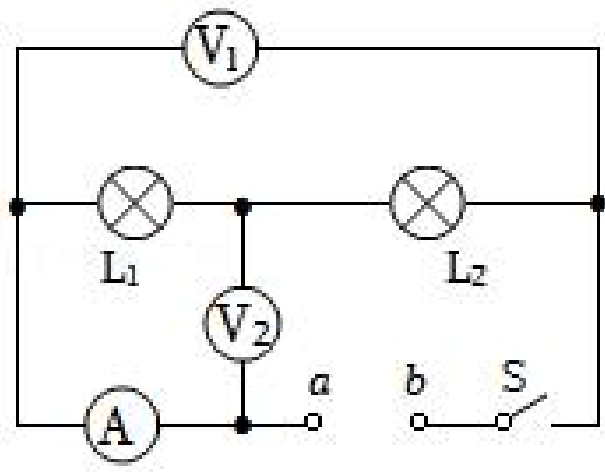


$$\frac{U^2}{R}$$

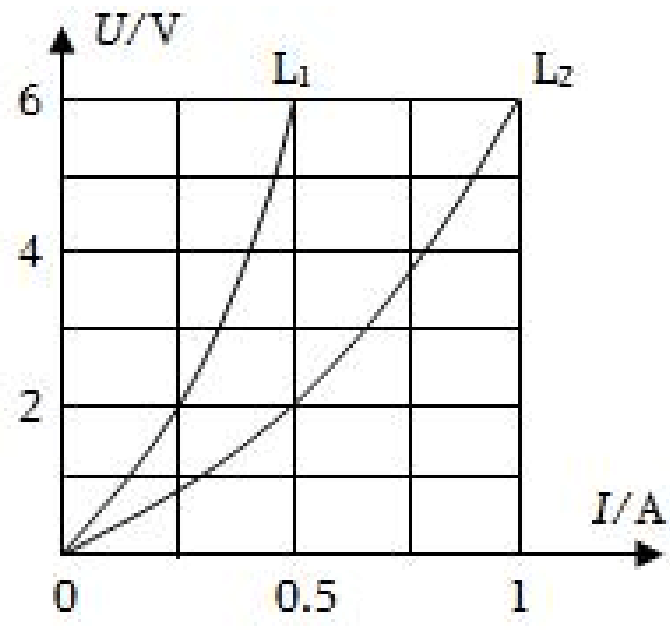
$$\frac{U_2^2}{P_2} = \frac{(6V)^2}{6W}$$

$$\frac{U}{R_2} = \frac{7.5V}{6\Omega}$$

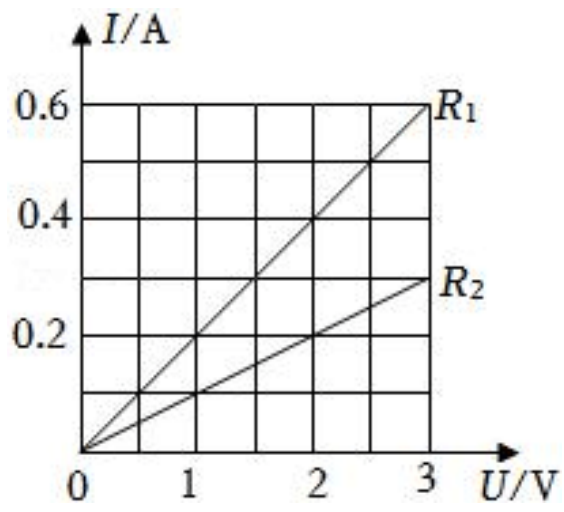




甲



乙



$$\frac{U_2}{I}$$

$$\frac{U}{I}$$

$$\frac{U_1}{I}$$

以上内容仅为本文档的试下载部分，为可阅读页数的一半内容。如要下载或阅读全文，请访问：<https://d.book118.com/26804201600006026>